

USER'S MANUAL

SAR FGR006SRB

Fingerprint & Proximity Reader

Rev. V1.0



www.idteck.com

CONTENTS

1. Important Safety Instructions	page 3
2. Introduction	page 3
3. Identifying supplied parts	page 4
4. Specification	page 4
5. Installation	page 5
6. Wire Color Table of the FGR006SRB	page 6
7. Wire Connection to the FGR006SRB	page 6
8. Operation	page 7
9. FCC Registration Information	page 7
10. Warranty and Service	page 8
11. RMA Request Form & A/S Request Form	page 9

1. Important Safety Instructions

When using STAR FGR006SRB Philips Mifare™ Compatible Proximity Reader, basic safety precautions should always be followed to reduce the risk of fire, electrical shock, and injury to persons. In addition, the following should also be followed:

1. Read and understand all instructions of the User's Manual.
2. Follow all warnings and instructions marked on the product.
3. Do not use liquid cleaners or aerosol cleaners. Use a damp cloth for cleaning. If necessary, use mild soap.
4. Do not use this product near water, such as bath-tub, wash bowl, kitchen sink, laundry tub, in a wet basement, or swimming pool.
5. This product should be operated only from the type of power source indicated on the marking label. If you are not sure of the type of power supplied to your installation site, consult your dealer or local power company.
6. Never push objects of any kind into this product or through the cabinet slots as they may touch voltage points or short out parts that could result in fire or electric shock. Never spill liquid of any kind on the product.
7. To reduce the risk of electric shock, do not disassemble this product by yourself, but take it to qualified service whenever service or repair is required.
8. Unplug this product from the Direct Current (DC) power source and refer to qualified service personnel under these conditions:
 - a. When the power supply cord or plug is damaged or frayed.
 - b. If liquid has been spilled on the product.
 - c. If the product does not operate normally after following the operating instructions in this manual.
 - d. If the product exhibits a distinct change in performance.
9. Do not use this product under dusty or vibration circumstance.

2. Introduction

The STAR FGR006SRB is a Biometrics and Proximity Reader which is compatible to existing proximity readers. FGR006SRB can be connected to any existing access control panel and you will have personal authorization by one's fingerprint to avoid any access from unauthorized persons. FGR006SRB has a built-in 13.56MHz Mifare proximity reader and fingerprint module so that accesses are allowed only when the personal IDs and fingerprints are authorized. FGR006SRB reads the personal ID and the fingerprint template directly from the card so that the numbers of fingerprint user is unlimited. Its modern design gives you an easy installation (by just replacing existing reader) to metal door frame (mullion) or to any flat wall surface. FGR006SRB ensures you a successful operation where you want biometrics access control. FGR006SRB has two LEDs of red and green and a beeper inside to guarantee you an accurate and reliable access control.

3. Identifying Supplied Parts

Please unpack and check the contents of the box.



Main Unit



Bezel



User's Manual

4. Specification

CPU	: 32bit Strong ARM and 16bit Microprocessors
Proximity Read Range	: Up to 2" (5cm) with Philips Mifare cards
Exciting Frequency	: 13.56MHz
Fingerprint Templates	: 400 bytes for each fingerprint template
Output Format	: Standard 26bit Wiegand format
Fingerprint Error Output	: Low active, Open Collector Output
Tamper Switch	: Normal Open Contact
LED/Beeper	: Two LEDs (red and green) / Piezo Buzzer
Color	: Light and Dark Gray
Power	: DC 12V, maximum 300mA`
Operating Environment	: -15°C~+40°C (-5°F~ +104°F), 10~90% Humidity
Overall Size (WxHxD)	: 2.6"x5.1"x2.0" (66x129x51mm)
Weight	: 0.5 lb (230g)

5. Installation

5-1. Mullion/Wall Mount

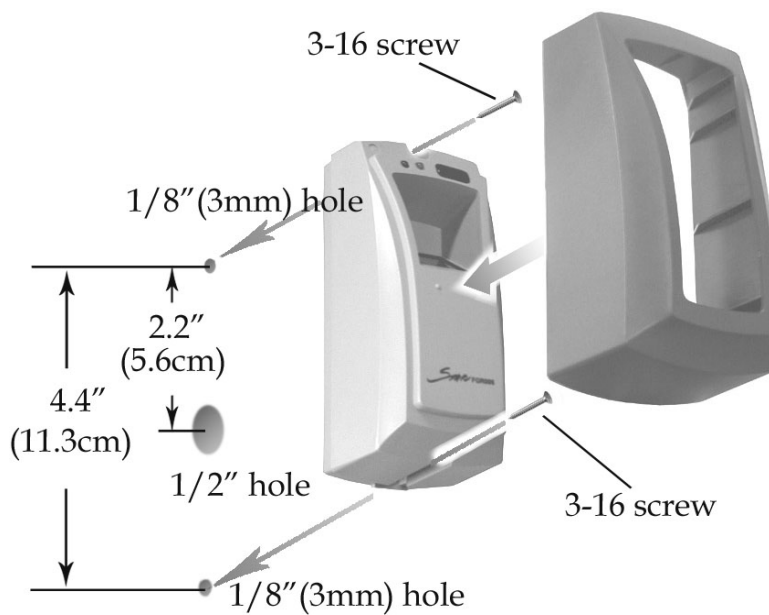
Drill two $\text{Ø}1/8"$ (3mm) holes, 4.4" (113mm) apart in vertical and drill one $\text{Ø}1/2"$ (12mm) hole for the reader cable 2.2" (56mm) apart from the top hole.

5-2. Connect wires between the access control panel and FGR006SRB reader then put reader cable into the center hole and install the main unit by using two 3-16 screws.

5-3. Put bezel into the main unit then push bezel until you hear the locking sound.

5-4. The maximum Wiegand cable length is 100 meter on a condition described below.

- Controller : ICON100 V4.0 or greater
- Cable : AWG #24 twisted pair



6. Wire Color Table of the FRG006SRB

POWER

Power(DC 12V)	+12V	Red wire
Power(DC 12V)	0V(GND)	Black wire

WIEGAND OUTPUT

Wiegand Data-0	DATA0	Green wire
Wiegand Data-1	DATA1	White wire

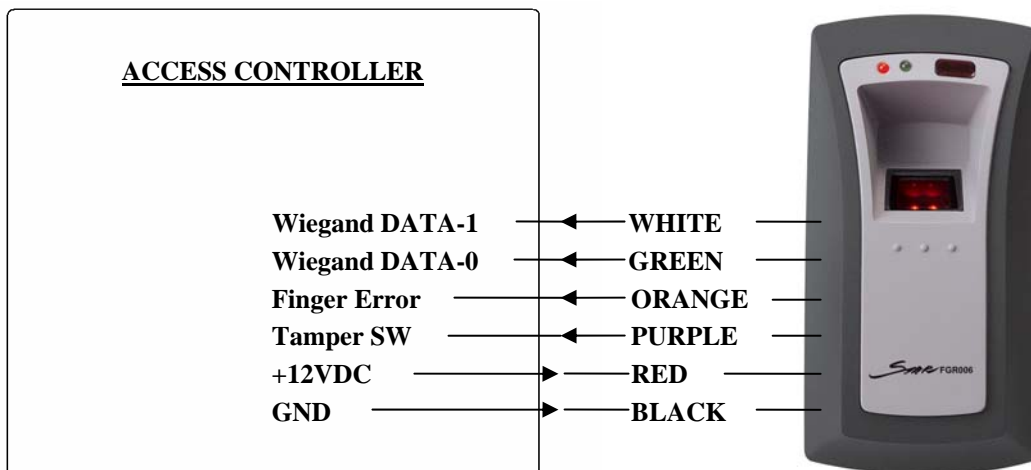
FINGERPRINT ERROR OUTPUT

Fingerprint Error	ERROR	Orange wire
-------------------	-------	-------------

TAMPER OUTPUT

Tamper	TAMPER	Purple wire
--------	--------	-------------

7. Wire Connection of the FGR006SRB



8. Operation

- 8-1. Apply power, FGR006SRB will beep 4 times and the red LED will turn on after the initialization.
- 8-2. **Present a proximity card to the FGR006SRB until the fingerprint scanner lights on.**
- 8-3. Put your finger on the fingerprint scanner for authorization.
- 8-4. If your fingerprint is authorized then the FGR006SRB makes the green LED lit and a beep sound for a second, sending your card ID to the access controller.
If your fingerprint is not authorized then FGR006SRB will make 2 beep sounds and generate finger error signal for 500ms of low active pulse. (Open Collector)

Note: Please read the PRG2000 software manual for writing personal IDs and the fingerprint templates to proximity cards.

9. FCC REGISTRATION INFORMATION

FCC REQUIREMENTS PART 15

Caution: Any changes or modifications in construction of this device which are not expressly approved by the manufacturer for compliance could void the user's authority to operate the equipment.

NOTE: This device complies with Part 15 of the FCC Rules.

Operation is subject to the following two conditions:

- 1. This device may not cause harmful interface, and
- 2. This device must accept any interference received, including interference that may cause undesired operation.

This equipment has been tested and found to comply with the limits for a Class B Digital Device, pursuant to Part 15 of the FCC Rules. These limits are designed to this equipment generates, uses, and can radiate radio frequency energy and, if not installed and used in accordance with the instructions, may cause harmful interference to radio communications.

However, there is no guarantee that interference will not occur in a particular installation. If this equipment does cause harmful interference to radio or television reception, which can be determined by turning the radio or television off and on, the user is encouraged to try to correct interference by one or more of the following measures.

- 1. Reorient or relocate the receiving antenna.
- 2. Increase the distance between the equipment and receiver.
- 3. Connect the equipment into an outlet on another circuit.
- 4. Consult the dealer or an experienced radio/TV technician for help.

10. Warranty and Service

The following warranty and service information applies only to the United States of America and Republic of Korea. For the information in other countries, please contact your local distributor.

To obtain in or out of warranty service, please prepay shipment and return the unit to the appropriate facility listed below.

IN THE UNITED STATES

RF LOGICS Inc. Service Center
3026 Scott Blvd.,
SANTA CLARA, CA95054
Tel.: (408) 980-0001
Fax.: (408) 980-8060
E-mail: rflogics@rflogics.com
Web-site: www.rflogics.com

OUTSIDE OF THE UNITED STATES

ID TECK CO., LTD. Service Center
5F Ace Techno Tower Bldg.,
684-1 Deungchon-dong, Gangsuh-gu,
SEOUL 157-030, KOREA
Tel.: +82 (2) 2659-0055
Fax.: +82 (2) 2659-0086
E-mail: webmaster@idteck.com
Web-site: www.idteck.com

Technical Support(in korea)

E-mail : techsupport@idteck.com

Hotline

+82-19-264-7550 (Customer support)

+82-17-340-4170(R&D)

Please use the original container, or pack the unit(s) in a sturdy carton with sufficient packing to prevent damage, include the following information:

1. A proof-of-purchase indicating model number and date of purchase.
2. Bill-to address
3. Ship-to address
4. Number and description of units shipped.
5. Name and telephone number of person to contact.
6. Reason for return and description of the problem.

NOTE: Damage occurring during shipment is deemed the responsibility of the carrier, and claims should be made directly to the carrier.

PROXIMITY READER

11. RMA Request Form & A/S Request Form

- RMA REQUEST FORM : ORIGINAL



5F, Ace Techno Tower B/D, 684-1, Deungchon-Dong, Gangsuh-Gu, Seoul, 157-030, Korea
 TEL : +82-2-2659-0055, FAX ; +82-2-2659-0086, www.idteck.com

RMA REQUEST FORM					
Send To RMA Control Center 5F, Ace Techno Tower B/D 684-1, Deungchon-Dong, Gangsuh-Gu Seoul, 157-030, Korea			RMA No. & Date : Original Invoice No. & Date :		
Sales Person In Charge			Requested From :		
Shipping Port :				Departure Date :	
Air / Vessel :					
NO	Model	Serial Number	Error Check Box by shipper		
1	Engineer Comment		RS 232 Com. <input type="checkbox"/>	Power <input type="checkbox"/>	Card Reading <input type="checkbox"/>
			Input/Output <input type="checkbox"/>	Keypad <input type="checkbox"/>	RS 422 Com <input type="checkbox"/>
			Others <input type="checkbox"/> :		
2	Engineer Comment		RS 232 Com. <input type="checkbox"/>	Power <input type="checkbox"/>	Card Reading <input type="checkbox"/>
			Input/Output <input type="checkbox"/>	Keypad <input type="checkbox"/>	RS 422 Com <input type="checkbox"/>
			Others <input type="checkbox"/> :		
3	Engineer Comment		RS 232 Com. <input type="checkbox"/>	Power <input type="checkbox"/>	Card Reading <input type="checkbox"/>
			Input/Output <input type="checkbox"/>	Keypad <input type="checkbox"/>	RS 422 Com <input type="checkbox"/>
			Others <input type="checkbox"/> :		
4	Engineer Comment		RS 232 Com. <input type="checkbox"/>	Power <input type="checkbox"/>	Card Reading <input type="checkbox"/>
			Input/Output <input type="checkbox"/>	Keypad <input type="checkbox"/>	RS 422 Com <input type="checkbox"/>
			Others <input type="checkbox"/> :		
5	Engineer Comment		RS 232 Com. <input type="checkbox"/>	Power <input type="checkbox"/>	Card Reading <input type="checkbox"/>
			Input/Output <input type="checkbox"/>	Keypad <input type="checkbox"/>	RS 422 Com <input type="checkbox"/>
			Others <input type="checkbox"/> :		
Manufacturer's Verification					
Product Defective : User's Misuse : Communication Error :			Installation Error : Connection Error : Others :		
Packing Details					
Dimension(L:W:H) :			No. of Units		
Net & Gross Weight :			No. of Boxes		
Requested By			Received By		
_____ Buyer's Signature			_____ IDTECK's Signature		

PROXIMITY READER

• **RMA REQUEST FORM : SAMPLE**




5F, Ace Techno Tower B/D, 684-1, Deungchon-Dong, Gangsuh-Gu, Seoul, 157-030, Korea
 TEL : +82-2-2659-0055, FAX ; +82-2-2659-0086, www.idteck.com

RMA REQUEST FORM					
Send To RMA Control Center 5F, Ace Techno Tower B/D 684-1, Deungchon-Dong, Gangsuh-Gu Seoul, 157-030, Korea			RMA No. & Date : We send this No. , when you want. Original Invoice No. & Date : 00-00-0-000 / 1990.01.01		
Sales Person In Charge Karina Kwak			Requested From : Mr. Luis Castro ABC Company,... address.... Tokyo, Japan		
Shipping Port :		Narita	Departure Date :		2004, 01. 13
Air / Vessel :		Air			
NO	Model	Serial Number	Error Check Box by shipper		
1	SR30	XXXXXXXXXXXXXXXX	RS 232 Com. <input type="checkbox"/>	Power <input checked="" type="checkbox"/>	Card Reading <input checked="" type="checkbox"/>
	Engineer Comment	Write problem to be detailed.	Input/Output <input type="checkbox"/>	Keypad <input type="checkbox"/>	RS 422 Com <input type="checkbox"/>
			Others <input type="checkbox"/> :		
2	others		RS 232 Com. <input type="checkbox"/>	Power <input type="checkbox"/>	Card Reading <input type="checkbox"/>
	Engineer Comment		Input/Output <input type="checkbox"/>	Keypad <input type="checkbox"/>	RS 422 Com <input type="checkbox"/>
			Others <input type="checkbox"/> :		
3			RS 232 Com. <input type="checkbox"/>	Power <input type="checkbox"/>	Card Reading <input type="checkbox"/>
	Engineer Comment		Input/Output <input type="checkbox"/>	Keypad <input type="checkbox"/>	RS 422 Com <input type="checkbox"/>
			Others <input type="checkbox"/> :		
4			RS 232 Com. <input type="checkbox"/>	Power <input type="checkbox"/>	Card Reading <input type="checkbox"/>
	Engineer Comment		Input/Output <input type="checkbox"/>	Keypad <input type="checkbox"/>	RS 422 Com <input type="checkbox"/>
			Others <input type="checkbox"/> :		
5			RS 232 Com. <input type="checkbox"/>	Power <input type="checkbox"/>	Card Reading <input type="checkbox"/>
	Engineer Comment		Input/Output <input type="checkbox"/>	Keypad <input type="checkbox"/>	RS 422 Com <input type="checkbox"/>
			Others <input type="checkbox"/> :		
Manufacture's Verification					
Product Defective :			Installation Error :		
User's Misuse :			Connection Error :		
Communication Error :			Others :		
Packing Details					
Dimension(L:W:H) :		102 * 142 * 23	No. of Units		20
Net & Gross Weight :		180g	No. of Boxes		2
Requested By			Received By		
Luis Castro Buyer's Signature			_____ IDTECK's Signature		

- A/S REQUEST FORM : ORIGINAL

○



A/S Request Form

1. Model:	2. RMA No:
3. Original Invoice No:	4. Serial No:
5. Distributor:	6. Date:

User's Check List

<input type="checkbox"/> Card Reading	<input type="checkbox"/> Power	<input type="checkbox"/> Keypad
<input type="checkbox"/> Communication	<input type="checkbox"/> Relay	<input type="checkbox"/> LCD
<input type="checkbox"/> LED & Buzzer	<input type="checkbox"/> Registration	
Others :		


How to return...

1. Require 'RMA Request Form' to your contact point before sending the units.
2. Send back the 'RMA Request Form' filled and get RMA No. from RMA Control Center.
3. Return the defective goods with this Form filled and packed as it was.
4. If out of warranty, repairing invoice will be issued.

IDTECK RMA CONTROL CENTER
5F Ace Techno Tower B/D, 684-1, Deungchon-Dong, Gangsuh-Gu, Seoul
Korea 157-030. Online RMA service : www.idteck.com
Hotline : +82-19-264-7550(Customer support), +82-17-340-4170(R&D)

- A/S REQUEST FORM : SAMPLE

○



A/S Request Form

1. Model: XXXXX V X.XX	2. RMA No: XXXXXXXX
3. Original Invoice No: XXXXXXXXXX	4. Serial No: XXXXXXXXXXXXXXXXXX
5. Distributor: XXXXXXX	6. Date: 2003.XX.XX

User's Check List

<input checked="" type="checkbox"/> Card Reading	<input type="checkbox"/> Power	<input type="checkbox"/> Keypad
<input checked="" type="checkbox"/> Communication	<input type="checkbox"/> Relay	<input checked="" type="checkbox"/> LCD
<input type="checkbox"/> LED & Buzzer	<input type="checkbox"/> Registration	
Others : Write problem!		

How to return...

1. Require 'RMA Request Form' to your contact point before sending the units.
2. Send back the 'RMA Request Form' filled and get RMA No. from RMA Control Center.
3. Return the defective goods with this Form filled and packed as it was.
4. If out of warranty, repairing invoice will be issued.

IDTECK RMA CONTROL CENTER
 5F Ace Techno Tower B/D, 684-1, Deungchon-Dong, Gangsuh-Gu, Seoul
 Korea 157-030. Online RMA service : www.idteck.com
 Hotline : +82-19-264-7550(Customer support), +82-17-340-4170(R&D)

PROXIMITY READER



The specification contained in this manual are subject to change without notice at any time.



5F, Ace Techno Tower B/D, 684-1, Deungchon-Dong,
Gangsu-Gu, Seoul, 157-030, Korea

Tel : (82) 2 2659-0055

Fax : (82) 2 2659-0086

E-mail : webmaster@idteck.com

NOV. 2003 Copyright ©2003 IDTECK Co., Ltd.