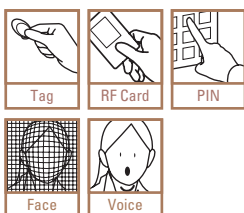


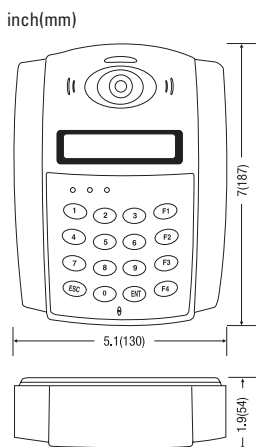
Facial & Proximity/PIN Reader

FACE006 FACE006P FACE006EX



FACE006/P/EX

IDTECK



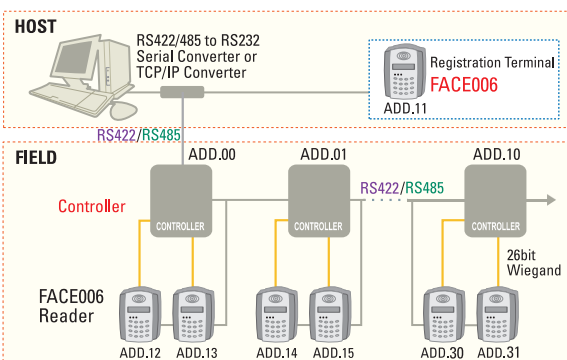
KEY Features

- 1:1 Verification
- 125KHz Proximity / PIN and Facial Recognition
- 10,000 Facial Users storable 2 Facial Templates
- Network Communication via RS232 / RS422 / RS485 (Max.255ch), TCP/IP (External LAN Converter required)
- 1ea of External Reader Port (FACE006EX): 26 / 34bit Wiegand, 4 / 8bit Burst for PIN and ABA Track II
- 26bit Wiegand and ABA Track II Output Format
- Video Output with NTSC Signal, Voice Output
- Tamper Switch
- Rainbow Color LED Indicator for Image Capture
- Options: Video Output with PAL Signal (Coming Soon) Supervisory Signal
- Compatible Software: STARWATCH DUAL PRO I / II, iTDC PRO I / II
- Compatible Controller: iCON100, iTDC, Third Party Controller, Standalone Controller

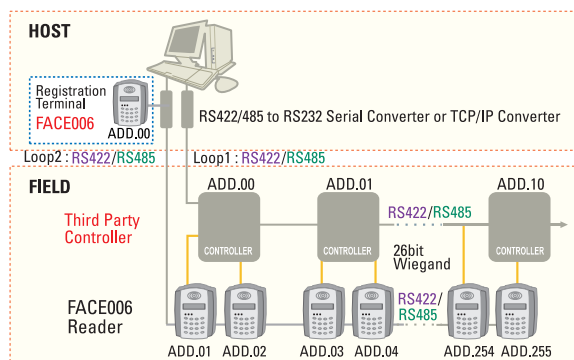
Comparison Table

FACE006	Built-in 125KHz (4") RF Reader
	RF (PIN) only / RF (PIN)+ Face + P/W (4digit) RF (PIN)+P/W (4digit)+ Face
FACE006P	PIN (4-8digit) only / PIN + Face + P/W (4digit) PIN + P/W (4digit) + Face
FACE006EX	Built-in External Reader Port
	RF (PIN) only / RF (PIN)+ Face + P/W (4digit) RF (PIN)+P/W (4digit)+ Face

Connect IDTECK Controller with Facial Reader



Connect Third Party Controller with Facial Reader





FACE006 + iTDC DEMO KIT

Facial Module Specification

Model		FRM10K
CPU		32bit DSP
Memory	Program Memory	32KByte EPROM
	Data Memory	16MByte Flash Memory
Facial User		10,000 Facial Users
Capture Image Size		480 x 640 pixels
Verification Time		Less than 0.5sec.
Communication		RS232
Baud Rate		9,600bps (default) / 14,400bps, 19,200bps, 38,400bps, 57,600bps and 115,200bps (selectable)
Power / Current		DC 5V / Max.500mA
CCD Camera		430K pixels (NTSC Signal)
Operating Temperature		0° to +40° C (-32° to +104° F)
Operating Humidity		10% to 90% relative humidity non-condensing
Dimension (W x H x T) / Weight		3.7" x 2.1" x 0.24" (95mm x 55mm x 6mm) / 30g (0.07lbs)

Specifications

Model		FACE006	FACE006P	FACE006EX
CPU		32bit DSP, 8bit and 16bit Microprocessor		
Memory	Facial Module (FRM10K)	Program Memory	32KByte EPROM	
		Data Memory	16MByte Flash Memory	
	Controller	Program Memory	256KByte Flash Memory	
		Data Memory	512KByte SRAM (Battery back up)	
Facial User		10,000 Facial Users		
Facial Template Size		730Byte (3DES)		
Read Range	Passive Type	IDK50/IMC125: Up to 2 inch (5cm) IDC80/IDC170: Up to 4 inch (10cm)	PIN only	Depending on External Reader
	Active Type	IDA150/IDA200 compatible		
Reading Time (Card)		30ms.		
Verification Time		Less than 0.5sec.		
Power / Current		DC 12V / Max.1A		
External Reader Port		N/A	N/A	1ea: 26 / 34bit Wiegand, 4 / 8bit Burst for PIN, ABA Track II
Communication		RS232 / RS422 / RS485 (Max.255ch), TCP/IP (External LAN Converter required)		
Baud Rate		9,600bps (default) / 4,800bps, 19,200bps, 38,400bps, 57,600bps and 115,200bps (selectable)		
Input Port		2ea (Error-Input, OK-Input)		
Output Port		2ea (Error-Output, OK-Output (Open Collector Output)) 1ea (Video Output / Composite 1Vp-p 75 Ohm unbalanced)		
Output Format		26bit Wiegand, ABA Track II		
Video Signal		NTSC Signal(default), PAL Signal (optional)		
CCD Camera		430K pixels (NTSC Signal)		
LCD		Graphic LCD (122 x 36dots) / 2.62" x 0.55" (60.5mm x 18.5mm) Screen		
Keypad		16 Key Numeric Keypad		
LED Indicator / Beeper		1ea of Rainbow Color LED Indicator for Image Capture 3 Array LED Indicators (Red, Green and Yellow) / Piezo Buzzer		
Voice		Yes		
Operating Temperature	Facial Module / LCD	0° to +40° C (-32° to +104° F) / -20° to +70° C (-4° to +158° F)		
	Controller / RF Reader	-15° to +40° C (+5° to +104° F) / -35° to +65° C (-31° to +149° F)		
Operating Humidity		10% to 90% relative humidity non-condensing		
Color / Material		Dark Pearl Gray / Polycarbonate		
Dimension (W x H x T) / Weight		5.1" x 7" x 1.9" (130mm x 187mm x 54mm) / 600g (1.32lbs)		

FACE006EX with Existing Readers

