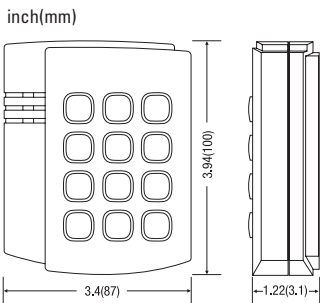


ASK [EM] Format  
PIN & Proximity Single Door Access Controller

# IP100R



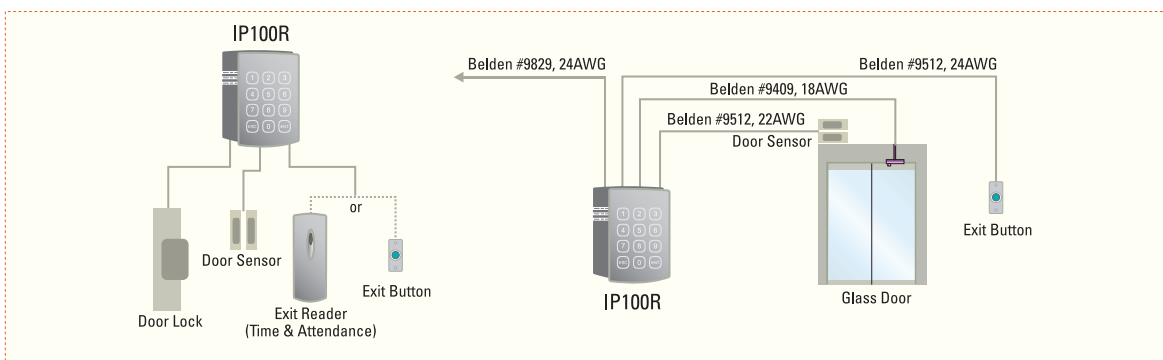
IP100R



## KEY Features

- 125KHz Standalone Proximity /PIN Single Door Access Controller
- ASK [EM] Format
- 512 Users
- Basic Time & Attendance Function
- 1ea of External Reader Port for Exit: 26bit Wiegand
- Standalone / Network Communication via RS232
- All I/Os and Operation Time programmable by Keypad
- Independent 5 Inputs and 4 Outputs including 2ea of 2 Form-C Relay Outputs
- Keypad Lock by Try-out Error Alarm Function
- Duress Alarm Function
- Toggle Mode for Door Opening / Closing
- Lock Control by Door Sensor
- Safe (default) / Secure Mode available
- Dual Tamper Switches
- Chime Bell Output
- 26bit Wiegand Output for Reader Mode
- Options: 4ch Voice Auto-dialer
- Compatible Software: STAR 100R PRO

## Standalone Configuration





## Specifications

Model		IP100R
CPU		Dual 8bit Microprocessor
Memory	Program Memory	20KByte ROM
	Data Memory	2KByte EEPROM
User		512 Users
Read Range		IPK50: Up to 2 inch (5cm) IPC80 / IPC170: Up to 4 inch (10cm)
Reading Time (Card)		30ms.
Power / Current		DC 12V / Max.200mA
External Reader Port		1ea (26bit Wiegand)
Communication		RS232
Input Port		5ea (Exit Button, Door Sensor, Aux#1, Aux#2, Aux#3)
Output Port		2ea (2 Form-C Relay Output (COM, NO, NC) / DC12~18V, Rating Max.2A)
		1ea (Chime Bell Output / DC5V, Rating Max. 500mA)
		1ea (TTL Output / DC5V, Rating Max.20mA)
Keypad		12 Key Numeric Keypad with Back Lighting
LED Indicator		3 Array LED Indicators (Red, Green and Yellow)
Beeper		Piezo Buzzer
Operating Temperature		-35° to +65° C ( -31° to +149° F )
Operating Humidity		10% to 90% relative humidity non-condensing
Color		Dark Pearl Gray
Material		Polycarbonate
Dimension (W x H x T)		3.4" x 3.94" x 1.22" (87mm x 100mm x 31mm)
Weight		210g (0.46lbs)
Certification		UL, FCC, CE, MIC, RoHS

## Expansion Configuration

