

USER'S MANUAL

Star RF TINY

Proximity Reader

V2.6.0



CONTENTS

1. Introduction	page 3
2. Identifying supplied parts	page 3
3. Specification	page 3
4. Installation	page 4
5. Wire Color Table of the Reader	page 5
6. Wire Connection to Controller	page 5
7. Operation	page 6
8. FCC Registration Information	page 7
9. Warranty and Service	page 8

1. Introduction

The STAR RF-Tiny is an elegant looking and an attractive 4" read range proximity reader which can be mounted to metal door frame(mullion) or any flat wall surface. The RF-Tiny use the electronics module in epoxy potting that ensure you successful operation even in harsh environments. Two color LED of green and red, inside Piezo buzzer sound will guarantee you an accurate and reliable system operations.

2. Identifying supplied parts

Please unpack and check the contents of the box.



Reader Module
(1 ea)



RF-Tiny Bezel
(1 ea)



Instruction
(1 ea)

3. Specification

Read Range/Time	Up to 4"(10cm) / 30ms
Input Voltage/Current	DC 5V ~ 12V, Max. 100mA
Output Format	26 bit Wiegand, ABA Track II, RS232C
External Buzzer control Input	Low Active, DC 0 ~ 12V, Max. 50 mA
External LED control Input	Low Active, DC 0 ~ 12V, Max. 50 mA
LED/Buzzer	2 Color LED(Red and Green) / Piezo Buzzer
Color	Dark Gray
Operating Environment	-31 ~ 149 (-35 ~ +65), 0~90% Humidity
Overall Size(WxHxD)	1.77"x3.35"x0.65"(45x85x16.5mm)
Weight	0.157lb(71.5g)

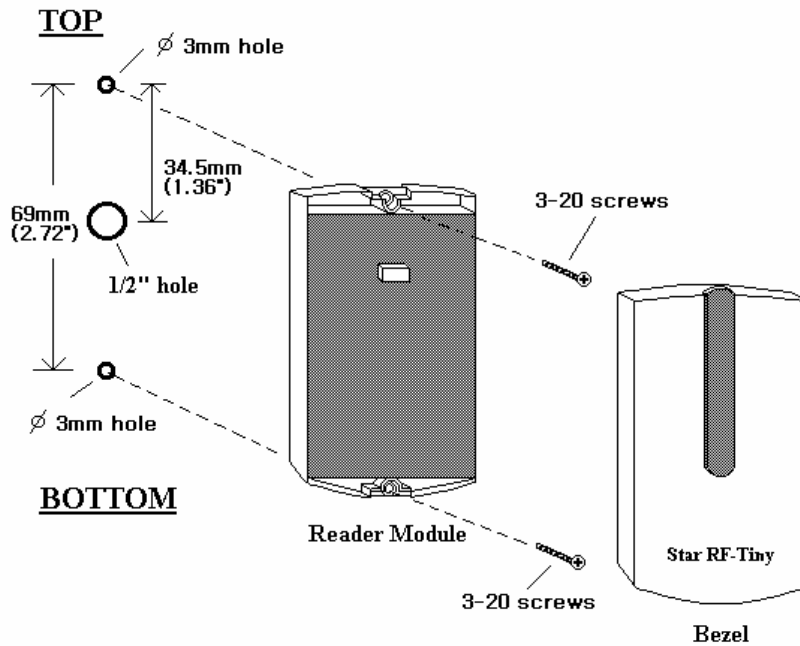
4. Installation

4-1. Mullion/Wall Mount

Drill two 3mm holes 2.72"(69mm) apart in vertical and drill one 1/2" hole for the controller cable 1.36"(34.5mm) apart from the top hole.

4-2. Put controller cable into the center hole and install the controller module by using two 3-20 screws.

4-3. Put bezel into the controller module then push bezel until you hear the locking sound.



Mullion Mount / Wall Mount

5. Wire Color Table of the Reader

POWER

Power(DC +5V~+17V)	DC(+)	Red wire
Power(DC Ground)	DC(-)(GND)	Black wire

INPUT

Buzzer control input	BUZZER	Blue wire
LED control input	LED	Yellow wire

OUTPUT(Wiegand Format)

Wiegand Data-0	Data-0	Green wire
Wiegand Data-1	Data-1	White wire

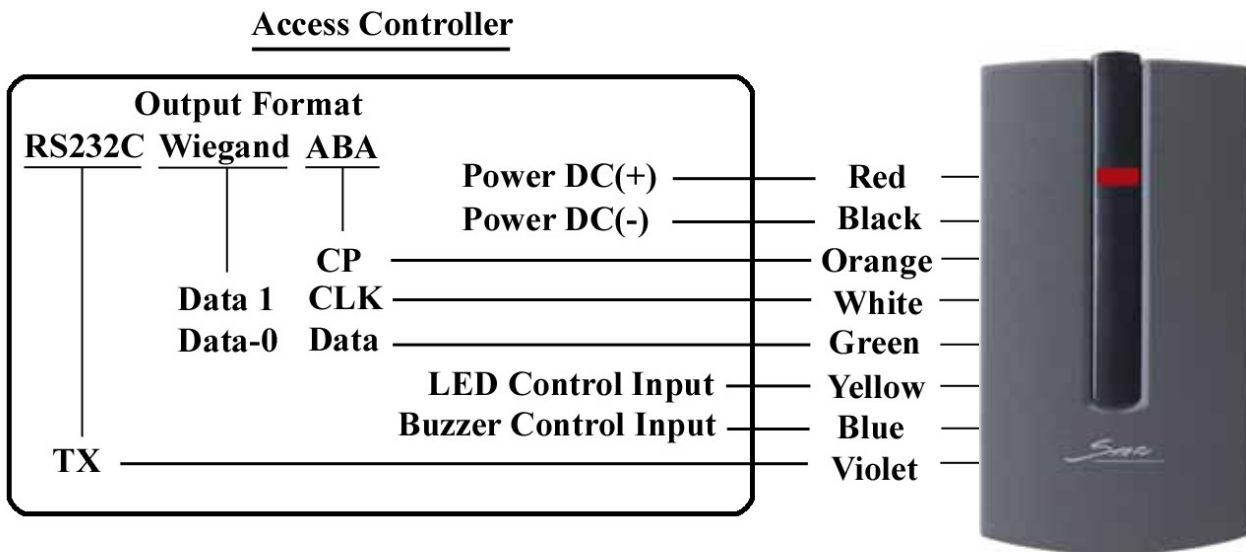
OUTPUT(ABA Track II Format)

ABA(Card Present)	CP	Orange wire
ABA(Clock)	CLK	White wire
ABA(DATA)	Data	Green wire

OUTPUT(RS232C Format)

RS232C(TX)	TX	Violet wire
------------	----	-------------

6. Wire Connection to Controller



Wire Connection to Controller

7. Operation

7-1. Apply power and you can see Red LED is on indicating the reader is in standby.

7-2. Present proximity card to the reader until you hear beep sound and the LED is changing the color to Green simultaneously and the reader send RF card data to the controller then LED changes the color to Red again for next reading.

7-3. LED Control;

To change the LED colors, you may connect LED Control Input(Yellow wire) to power ground then the Green LED is on indicating the reader is in standby.

Present proximity card then the LED changes the color to Red simultaneously then Green again for next reading.

7-4. Buzzer Control;

When the reader reads proximity card, only one beep sound generates in normal operating mode but you can generate more beep sounds to distinguish whether the access is granted or denied.

To generate more beeps, you may control the Buzzer Control Input(Blue wire) to power ground then you can turn beeper on while you hold Buzzer Control Input to power ground.

8. FCC REGISTRATION INFORMATION

FCC REQUIREMENTS PART 15

Caution: Any changes or modifications in construction of this device which are not expressly approved by the responsible for compliance could void the user's authority to operate the equipment.

NOTE: This device complies with **Part 15 of the FCC Rules**.

Operation is subject to the following two conditions;

1. This device may not cause harmful interface, and
2. This device must accept any interference received, including interference that may cause undesired operation.

This equipment has been tested and found to comply with the limits for a **Class A Digital Device**, pursuant to **Part 15 of the FCC Rules**. These limits are designed to this equipment generates, uses, and can radiate radio frequency energy and, if not installed and used in accordance with the instructions, may cause harmful interference to radio communications. However, there is no guarantee that interference will not occur in a particular installation. If this equipment does cause harmful interference to radio or television reception, which can be determined by turning the radio or television off and on, the user is encouraged to try to correct interference by one or more of the following measures.

1. Reorient or relocate the receiving antenna.
2. Increase the separation between the equipment and receiver.
3. Connect the equipment into an outlet on another circuit.
4. Consult the dealer or an experienced radio/TV technician for help.

9. Warranty and Service

The following warranty and service information applies only to the United States of America and Republic of Korea. For the information in other countries, please contact your local distributor.

To obtain in or out of warranty service, please prepay shipment and return the unit to the appropriate facility listed below.

IN THE UNITED STATES

**RF LOGICS Inc. Service Center
Headquarters and Western Region**

370 Amapola Ave, #106

Torrance, CA 90501

Phone: (310) 782-8383

Fax: (310) 782-8298

E-mail: rflogics@rflogics.com

Web-site: www.rflogics.com

OUTSIDE OF THE UNITED STATES

IDTECK CO., LTD. Service Center

5F Ace Techno Tower Bldg.,

684-1 Deungchon-dong, Gangseo-gu,

SEOUL 157-030, KOREA

Tel.: +82 (2) 2 659-0055

Fax.: +82 (2) 2659-0086

E-mail: webmaster@idteck.com

Web-site: www.idteck.com

Please use the original container, or pack the unit(s) in a sturdy carton with sufficient packing to prevent damage, include the following information:

1. A proof-of-purchase indicating model number and date of purchase.
2. Bill-to address
3. Ship-to address
4. Number and description of units shipped.
5. Name and telephone number of person to contact.
6. Reason for return and description of the problem.

NOTE: Damage occurring during shipment is deemed the responsibility of the carrier, and claims should be made directly to the carrier.