

***Star* RFL200** ***iPASS* IP-RFL200**

Proximity Access Controller



Table of Contents

1. Important Safety Instructions.....	3
3. Features.....	4
4. Identifying Supplied Parts	4
5. Specification	5
6. Installation.....	6
7. Color Coded & Wiring Table	7
8. Wire Connection to Controller.....	7
9. Operation.....	8
10. FCC Registration Information.....	10
11. Warranty and Service	11

1. Important Safety Instructions

When using **Proximity Access Controller**, basic safety precautions should always be followed to reduce the risk of fire, electrical shock, and injury to persons. In addition, the following safety guides should also be followed:

1. **Fully** read and understand all instructions and follow them completely.
2. **Follow** all warnings and instructions marked on the product.
3. **Do not** use liquid or aerosol cleaners. Use a damp cloth for cleaning. If necessary, use mild soap.
4. **Do not** use this product near water.
5. **Only** operate this product using the type of power source indicated. If you are not sure of the type of power supplied to your installation site, consult your dealer or local power company.
6. **Never** insert objects of any kind into the product or through the cabinet slots as they may touch voltage points and/or short circuit parts possibly resulting in fire or electric shock.
Never spill liquid of any kind on the product.
7. **Never** disassemble this product by yourself; take the unit to a qualified service center whenever service or repair is required. Opening or removing the covers may expose you to dangerous voltages or other risks. Also, incorrect reassembly can cause electric shock when the unit is subsequently used.
8. **Unplug** this product from the Direct Current (DC) power source and refer to qualified service personnel under these conditions:
 - a. When the power supply cord or plug is damaged or frayed.
 - b. If liquid has been spilled on the product.
 - c. If the product does not operate normally after following the operating instructions in this manual.
Adjust only those controls that are covered by the operating instructions in this manual. Improper adjustment of other controls that are not covered by this manual may damage the unit and will often require extensive work by a qualified technician to restore normal operation.
 - d. If the product exhibits a distinct change in performance.

2. General

The **Star RFL200 / iPASS IP-RFL200** is an elegant looking and an attractive 4" read range proximity reader built-in Proximity Single Door Access Controller which can be mounted to a metal door frame (mullion) or to any flat wall surface. The **Star RFL200 / iPASS RFL200** is epoxy potted that ensure you a successful operation even in harsh environments. Using 512 key tag, not only controlling door but also convenient registration or deletion.

When losing a key tag, it is easy to reset. Therefore it is the safest controlling door device.

Two-color LED of green and red, internal Piezo buzzer sound will guarantee you an accurate and reliable Door Access Operations.

3. Features

- 125KHz Standalone Proximity Access Controller
- Star RFL200: PSK Modulation
- iPASS IP-RFL200: ASK[EM] Format
- 512 Users including One Master Card
- Standalone (No need application software)
- Direct Control of Door Lock
- Power Fail Safe or Power Fail Secure Locks selectable
- Solid Epoxy Potted
- Waterproof
- Warranty: Life Time

4. Identifying Supplied Parts

Please unpack and check the contents of the box.



Main Module

(1ea)



RFL200 / IP-RFL200

Bezel

(1ea)



Card and Key Tags

(6ea)



User's Manual

(1copy)



3.0*30 Screw
(2ea)



3.0*25 Screw
(2ea)



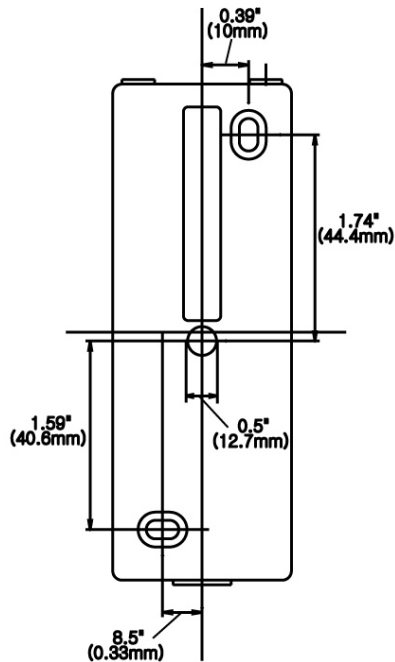
Anchor Bolt
(2ea)

5. Specification

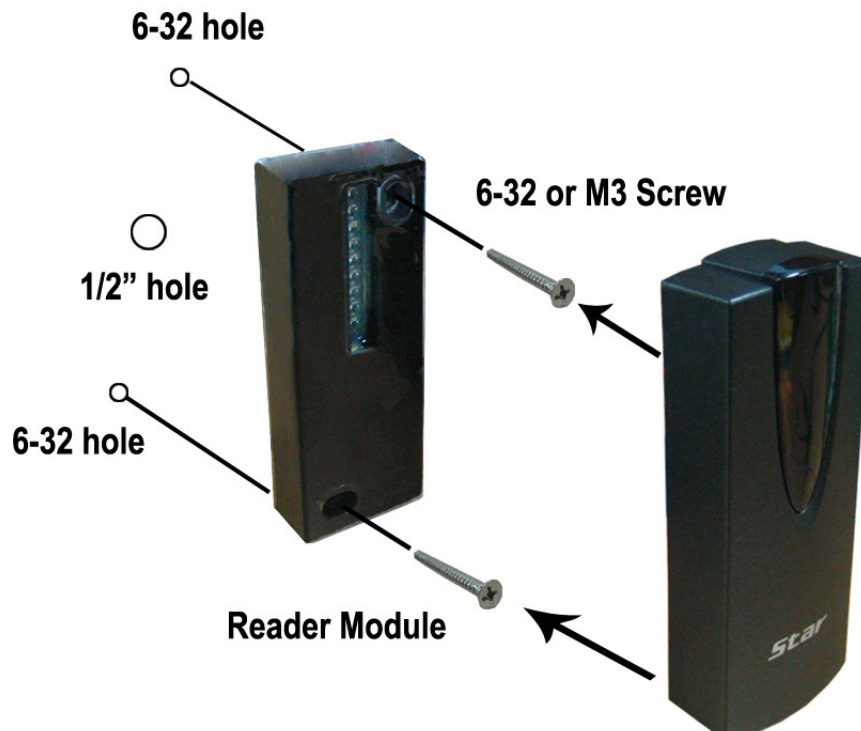
Model		RFL200	IP-RFL200
CPU		Dual 8bit Microprocessor	
Memory	Program Memory	64KByte Flash ROM	
	Data Memory	4KByte EEPROM	
User		512 Users (Including 1 Master Card)	
Read Range	Passive Type	IDK50 / IMC125: Up to 2 inch (5cm) IDC80 / IDC170: Up to 4 inch (10cm)	IPK50: Up to 2 inch (5cm) IPC80 / IPC170: Up to 4 inch (10cm)
	Active Type	IDA150 / IDA200 Compatible	
Reading Time (Card)		30ms	
Door Open Time		5sec (fixed)	
Power / Current		DC 12V / Max.150mA	
Input Port		3ea (Exit Button, Door Sensor, Lock Type Select (Power Fail Safe / Power Fail Secure)	
Output Port		2ea (TR Output / Open Collector Output, Rating Max.2A, Lock Output)	
LED Indicator / Beeper		9 Array LED Indicators (Red and Green) / Piezo Buzzer	
Operating Temperature	Controller	-35° to +60°C (-31° to +140°F)	
	RF Reader	-35° to +65°C (-31° to +149°F)	
Operating Humidity		10% to 90% relative humidity non-condensing	
Color / Material		Dark Pearl Gray / Polycarbonate	
Dimension (W x H x T) / Weight		1.8" x 4.9" x 0.8" (45mm x 124m x 19.64mm) / 80g (0.18 lbs)	
Warranty		Life Time	
Certification		FCC, CE, MIC	

6. Installation

- 6-1. Drill one 0.5"(12.7mm) hole at the central of the RFL200 / IP-RFL200 on mullion or wall mount.
Route the cable of reader module through the central hole.



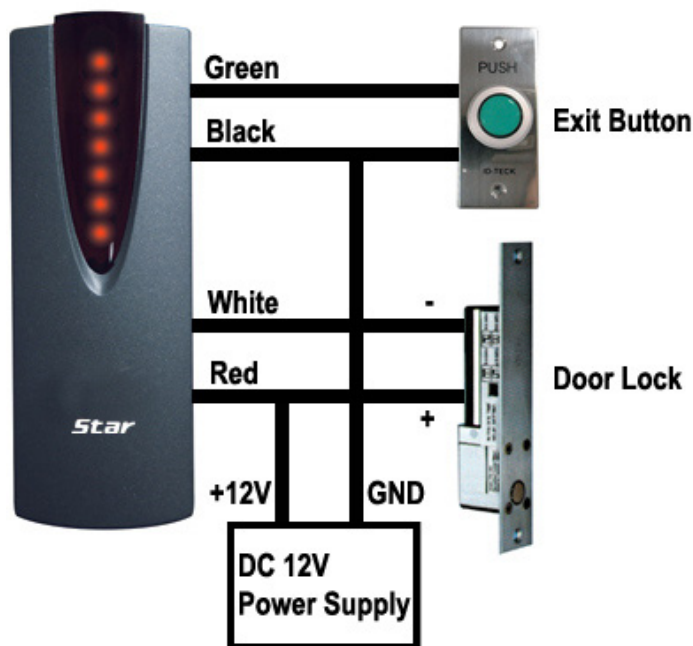
- 6-2. Drill one 0.39"(10mm) in right horizontal and 1.74"(44.4mm) in upper vertical through the central hole.
And drill the other 0.33"(8.5mm) in left horizontal and 1.59"(40.6mm) in under vertical through the central hole.
- 6-3. Push reader module on mullion or wall mount then install the main unit using two 6-32 or M3 screws.



7. Color Coded & Wiring Table

SIGNAL	COLOR
Main Power (+12V)	Red
Power Ground (GND)	Black
Aux In 1	Yellow
Door Contact In	Blue
Exit Button In	Green
Alarm Out	Purple
Door Lock Out	White
Not Connect	Gray
Not Connect	Orange
Not Connect	Brown

*** Please cut out tail connector before installation.**

8. Wire Connection to Controller

※ **Caution:** Select lock type as shown below.

- ✓ Power Fail Safe Mode (Always open at power off)
: Connect lock type of Yellow with Black wire.
- ✓ Power Fail Secure Mode (Always close at power off)
: Disconnect lock type of Yellow wire.

8-1. Connecting a power supply

- Connect +12V of power supply to Red wire.
- Connect GND of power supply to Black wire.

8-2. Connecting a door lock

- Connect (+) wire of door lock to +12V wire of power supply.
- Connect (-) wire of door lock to white wire of reader module.

8-3. Connecting an exit button

- Connect Green wire of exit button input to one wire between wires of exit button.
- Connect GND wire of power supply to the other wire.

8-4. Connecting a door sensor

- Connect COM terminal of door sensor to Blue wire of door sensor input.
- Connect NO terminal of door sensor to GND of power supply.

8-5. Connecting a door lock type

- In a power fail safe, connect GND wire of power supply to Yellow wire of door lock type input.
- In a power fail secure, put a floating state on Yellow wire of door lock type input.

9. Operation**9-1. When power is supplied**

- (1) All LEDs display red or green. Then they repeat on/off twice and become off.
- (2) As power off, red LED turns on from the under to the top in order. And all LEDs turn red.
- (3) RFL200 / IP-RFL200's buzzer sounds one time

9-2. Whether registered key tag is read on RFL200 / IP-RFL200 or an exit button is pressed

- (1) All LEDs turn from red to green. From the top to the under, they are off and on in order.
When all LEDs are off, they turn red.
- (2) At this time, the door is opened by definite time.
And the upper of two LEDs turn green. This means that open the door
- (3) RFL200 / IP-RFL200's buzzer sounds one time.

9-3. When unregistered key tag is read on RFL200 / IP-RFL200

- (1) All LEDs turn red. Then they repeat on/off twice and become on.
- (2) RFL200 / IP-RFL200's buzzer sounds twice.

9-4. If key tag is approached by RFL200 / IP-RFL200 when the door is opened.

- (1) The upper of two LEDs still display green color. It means that open the door.
With the rest of LEDs, they indicate whether authentication or not.

9-5. When a key tag is deleted or registered

- (1) If master card nears the product, buzzer sounds one time and the upper of 3 LEDs turn green.
- (2) If a key tag that wish to register new is read by the product, buzzer sounds one time.
And the rests except the upper of 3 LEDs turn green. From the top to the under, they are off in order.
When all LEDs are off, LEDs turn red again. At this time, a key tag is registered.
- (3) If a key tag is already registered, buzzer sounds twice.
The rests except the upper of 3 LEDs turn red.
They repeat on/off twice and become on. At this time, a key tag is deleted.
- (4) After finishing to register or delete a key tag, if reading a master card again, the upper of 3 LEDs turn red with beeping one time.
And all LEDs turn red.

9-6. When a master card is deleted or registered again

e.g.) the lost or the change of a master card.

- (1) As power off, they make white and blue wire close.
- (2) As power on, all LEDs turn red color with beeping twice.
Then they repeat twice and become on.
At this time, a master card is deleted.
- (3) After finishing to delete a master card, be off the power.
Connect again white and blue wire to a device which has been connected basically.
- (4) As power off, RFL200 / IP-RFL200 operates normally.
At this time, a card which had been first read on RFL200 / IP-RFL200 is registered as a master card. If you make already registered user card read, it will be deleted and then registered as master card.

9-7. When a product is initialized

- (1) As power off, make white, green and yellow wire are close.
- (2) As power on, all LEDs turn red or green color. After repeating on/off twice, they become off.
- (3) As the power off, only green LED turn on from the under to the top. All LEDs become green.
- (4) RFL200 / IP-RFL200's buzzer sounds four times. It indicates to complete initialization.
- (5) After finishing to initialize, connect again white, green and yellow wire to a device which had been basically connected as power off.
- (6) If turn on power, RFL200 / IP-RFL200 operates normally.
At this time, a card which had been first read on RFL200 / IP-RFL200 is registered as a master card.

10. FCC Registration Information

FCC REQUIREMENTS PART 15

Caution: Any changes or modifications in construction of this device which are not expressly approved by the responsible for compliance could void the user's authority to operate the equipment.

NOTE: This device complies with **Part 15 of the FCC Rules**.

Operation is subject to the following two conditions;

1. This device may not cause harmful interface, and
2. This device must accept any interference received, including interference that may cause undesired operation.

This equipment has been tested and found to comply with the limits for a **Class A Digital Device**, pursuant to **Part 15 of the FCC Rules**. These limits are designed to this equipment generates, uses, and can radiate radio frequency energy and, if not installed and used in accordance with the instructions, may cause harmful interference to radio communications.

However, there is no guarantee that interference will not occur in a particular installation. If this equipment does cause harmful interference to radio or television reception, which can be determined by turning the radio or television off and on, the user is encouraged to try to correct interference by one or more of the following measures.

1. Reorient or relocate the receiving antenna.
2. Increase the separation between the equipment and receiver.
3. Connect the equipment into an outlet on another circuit.
4. Consult the dealer or an experienced radio/TV technician for help.

11. Warranty and Service

The following warranty and service information applies only to the United States of America and Republic of Korea. For the information in other countries, please contact your local distributor.

To obtain in or out of warranty service, please prepay shipment and return the unit to the appropriate facility listed below.

Headquarters: IDTECK Co., Ltd.

5F Ace Techno Tower B/D,
684-1 Deungchon-Dong, Gangseo-Gu,
SEOUL, KOREA 157-030

Tel: +82-2-2659-0055

Fax: +82-2-2659-0086

E-mail: webmaster@idteck.com

Website: www.idteck.com

U.S Branch: RF Logics Inc.

370 Amapola Ave, #106

Torrance, CA 90501

Tel: 310-782-8383

Fax: 310-782-8298

E-mail: rflogics@rflogics.com

Website: www.rflogics.com

Hong Kong Branch: IDTECK Hong Kong

12/F, B2B Centre, No.36 Connaught Road West, Hong Kong

Tel: 852-2581-9580

Fax: 852-2234-5150

E-mail: alchu@gala.com.hk

Website: www.ristarhk.com

Please use the original container, or pack the unit(s) in a sturdy carton with sufficient packing to prevent damage, include the following information:

1. A proof-of-purchase indicating model number and date of purchase.
2. Bill-to address
3. Ship-to address
4. Number and description of units shipped.
5. Name and telephone number of person to contact.
6. Reason for return and description of the problem.

NOTE: Damage occurring during shipment is deemed the responsibility of the carrier, and claims should be made directly to the carrier.



The specification contained in this manual are subject to change without notice at any time

5F, Ace Techno Tower B/D, 684-1, Deungchon-Dong,
Gangseo-Gu, Seoul, 157-030, Korea
Tel : +82-2-2659-0055
Fax : +82-2-2659-0086
E-mail : webmaster@idteck.com